

# LUMIFIBER FIBER OPTIC SOLUTION



## 4PORT FIBER TERMINATION BOX

### FEATURES

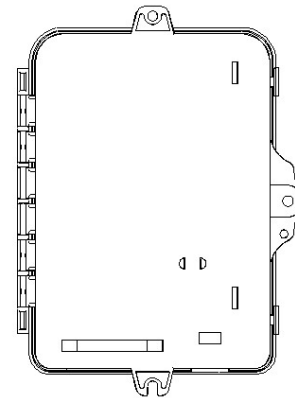
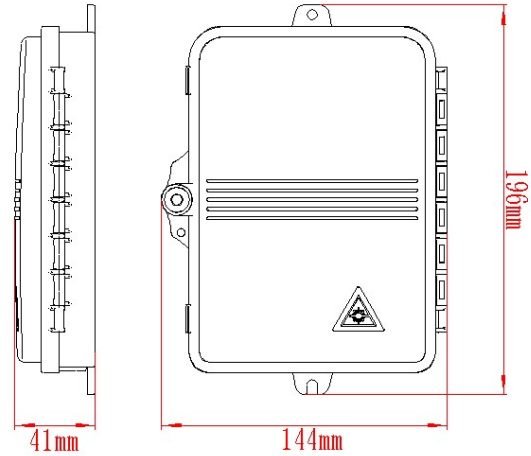
- Splice and patch cord use Separation structure, easy to Capacity expansion and maintenance
- Use high quality ABS+PC Plastic
- Internal turnover structure, easy to maintenance
- Can Install up to 6 SC Simplex Adapter
- Able to accommodate mini type splitter
- IP65 grade protection

### APPLICATIONS

- Fiber Optic Telecommunication
- Optical network equipment
- LAN (Local Area Network)
- CATV
- CWDM (Coarse Wavelength Division Multiplex)

### TECHNICAL CHARACTERISTIC

Parameter	Value
Operating Temperature	-40°C to +65°C
Storage Temperature	-40°C to +65°C
Relative Humidity	≤85% (+30°C)
Colour	White
Weight	0.25KG
Adapter Type	SC Simplex / LC Duplex
Adapter Capacity	6-unit max.
Number of cable entrance / exit	1 in, 6 out
Cable inlet calibre	9mm
Dimension (H x W x D)	196mm x 144mm x 41mm



### ORDERING INFORMATION

PRODUCT NUMBER	Number of Port	Adapter Type
LM-FTB	04 = 4 Port 06 = 6 Port	SCS = SC Simplex LCD = LC Duplex