

LUMIFIBER FIBER OPTIC SOLUTION



8PORT FIBER TERMINATION BOX

FEATURES

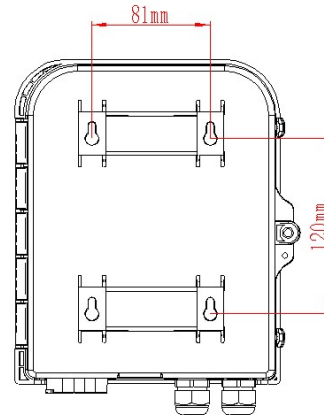
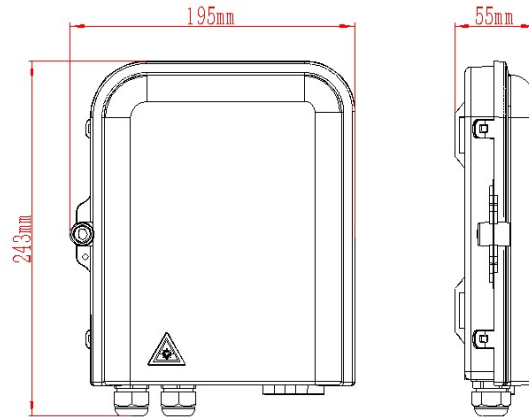
- Splice and patch cord use Separation structure, easy to Capacity expansion and maintenance
- Use high quality ABS+PC Plastic
- Internal turnover structure, easy to maintenance
- Can Install up to 8 SC Simplex Adapter
- Able to accommodate mini type splitter
- IP65 grade protection

APPLICATIONS

- Fiber Optic Telecommunication
- Optical network equipment
- LAN (Local Area Network)
- CATV
- CWDM (Coarse Wavelength Division Multiplex)

TECHNICAL CHARACTERISTIC

Parameter	Value
Operating Temperature	-40°C to +65°C
Storage Temperature	-40°C to +65°C
Relative Humidity	≤85% (+30°C)
Colour	White
Weight	0.56KG
Adapter Type	SC Simplex / LC Duplex
Adapter Capacity	8-unit max.
Number of cable entrance / exit	2 in, 8 out
Cable inlet calibre	12mm
Dimension (H x W x D)	243mm x 195mm x 55mm



ORDERING INFORMATION

PRODUCT NUMBER	Number of Port	Adapter Type
LM-FTB	08 = 8 Port	SCS = SC Simplex LCD = LC Duplex